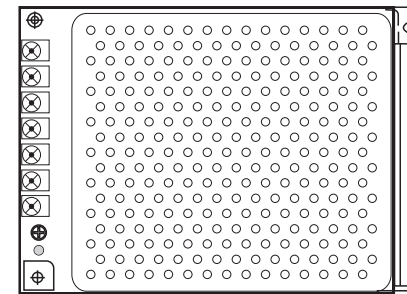

USER MANUAL

2-wire Accessories

Power supply



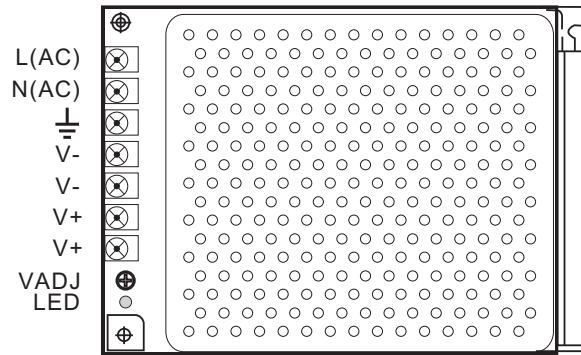
Please read this manual carefully before using the product .

1. Description

2-wire system 24V Power supply with Din-rail mounting or metal box.

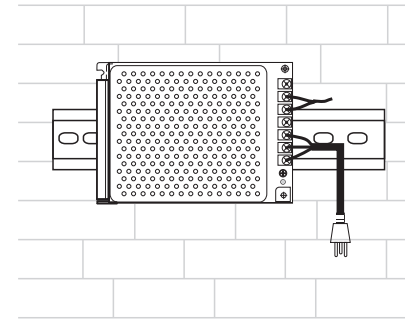
- Din-rail or metal box mounting
- 10 DIN modules
- DC24V 4.5A output

2. Parts and Functions

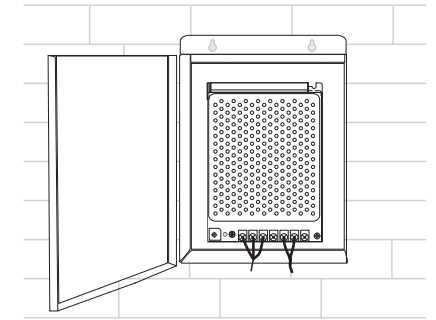


- L(AC): AC input.
- N(AC): AC input.
- : Earth Ground.
- V-: DC power output.(21.5~26.5 adjustable)
- V+: DC power output.(21.5~26.5 adjustable)
- VADJ: Output voltage adjustment.
- LED: Working state indicator.

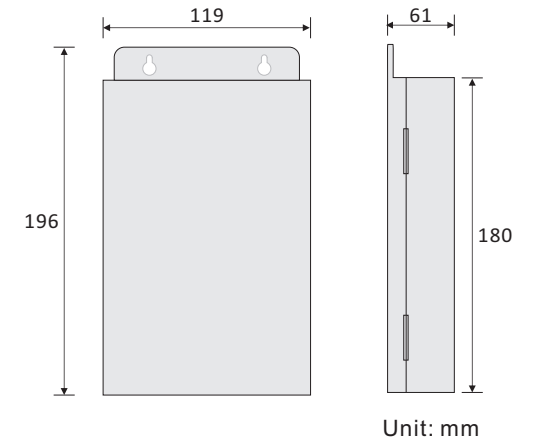
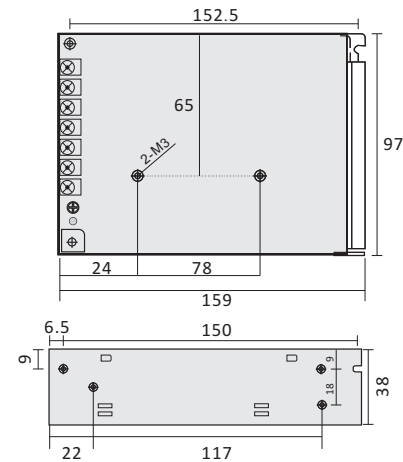
3. Installation



DIN rail mounting



Box mounting



4. Specification

- | | |
|-------------------------|------------------------------------|
| • Input Voltage: | 100~120VAC(2.5A), 200~240VAC(1.5A) |
| • Input Frequency: | 50~60 Hz |
| • Rated Output Voltage: | 24Vdc |
| • Rated Output Current: | 4.5A |
| • Working Temperature: | -20 °C~+60 °C |