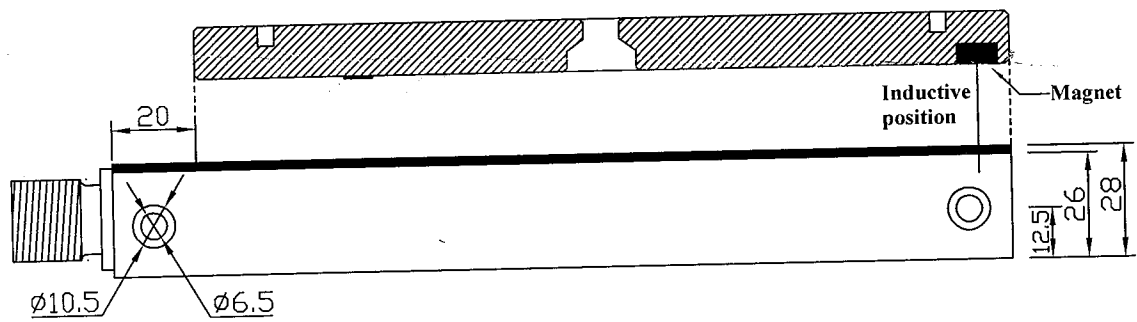
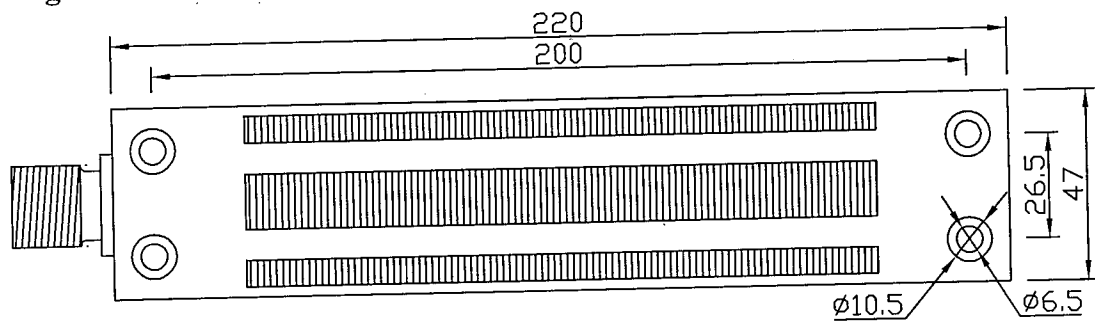


# User's manual of 280 Waterproof magnetic lock

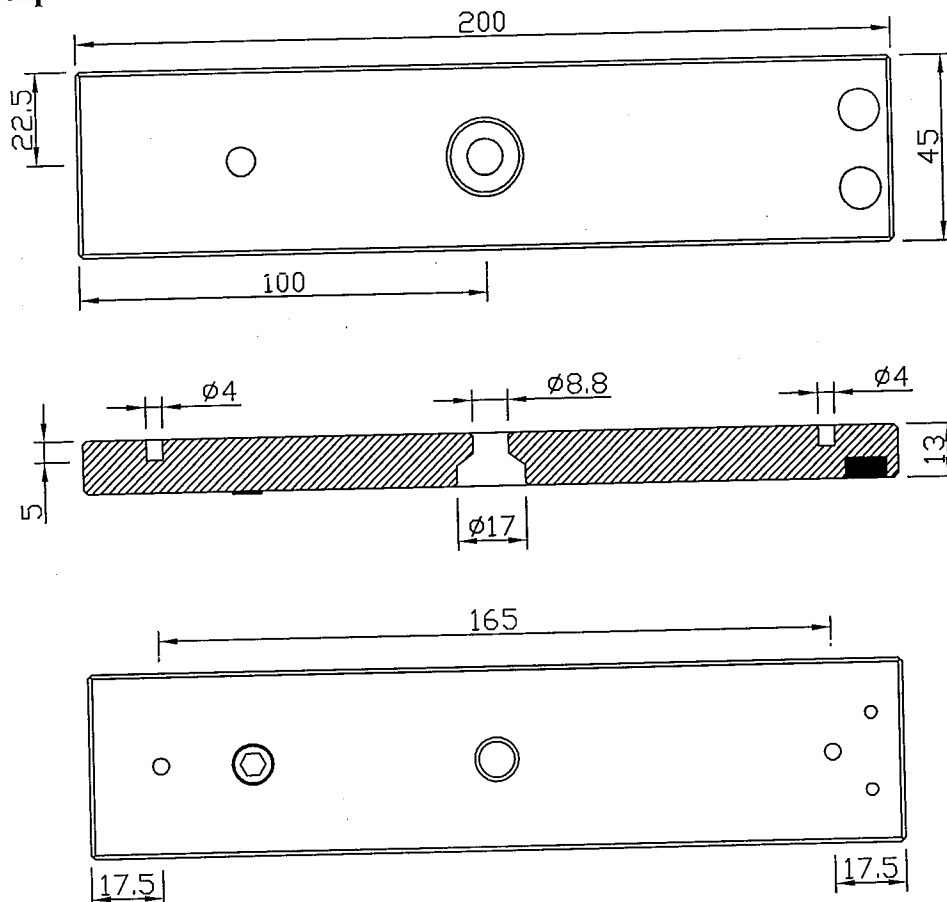
## The magnetic reaction installation sketch of the magnetic lock



## Magnetic lock dimension drawing



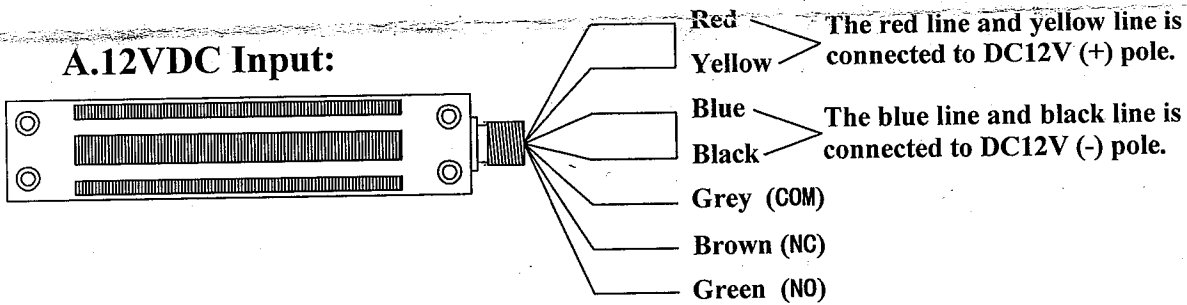
## Adsorption board size chart



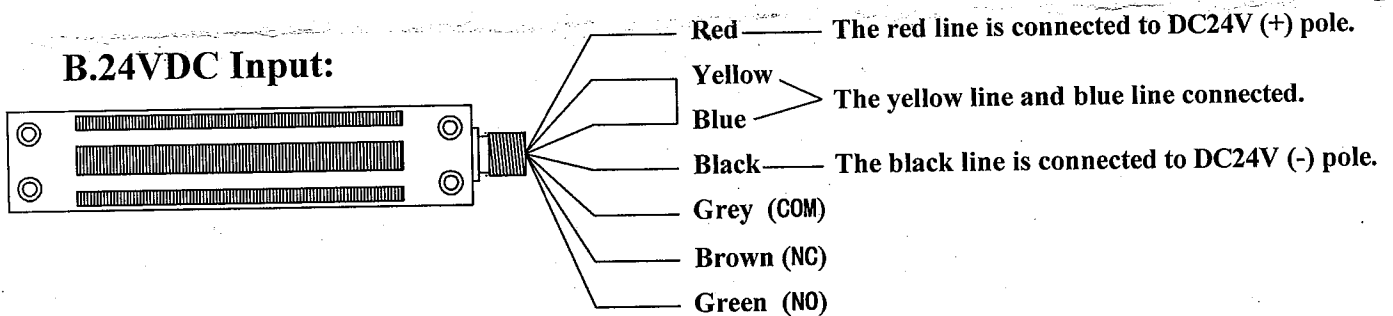
# User's manual of 280 Waterproof magnetic lock

Operating Voltage:	DC12V	DC24V
Operating Current:	500mA	250mA

## A. 12VDC Input:

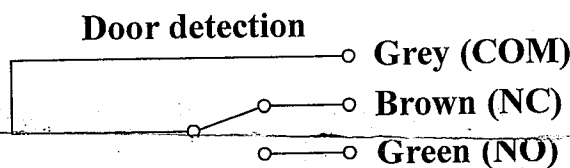


## B. 24VDC Input:

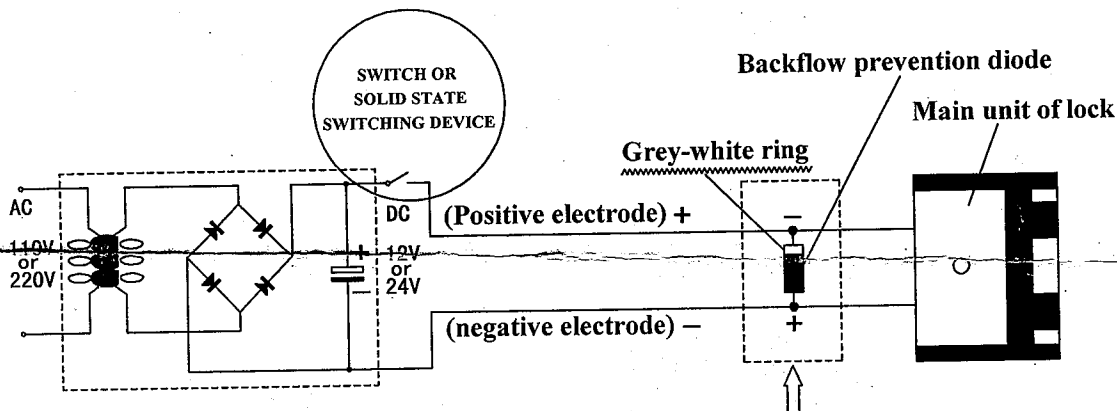


## C. Door detection:

1. If you require a normally open switch, connect the wires from the system to green line and grey line.
2. If you require a normally closed switch, connect the wires from the system to brown line and grey line.



## D. Connection method of backflow prevention diode:



### Connection method of backflow prevention diode:

- A. Connect the negative electrode of diode with the positive electrode of lock body.
- B. Connect the positive electrode of diode with the negative electrode of lock body.