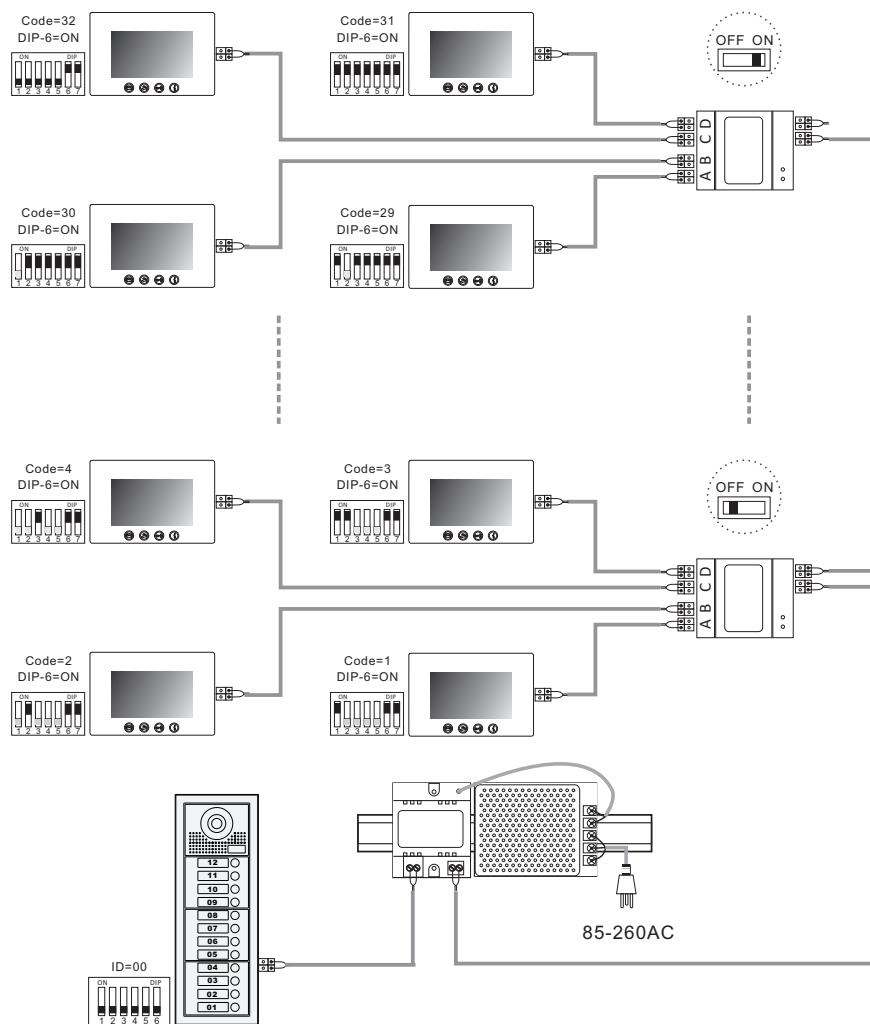


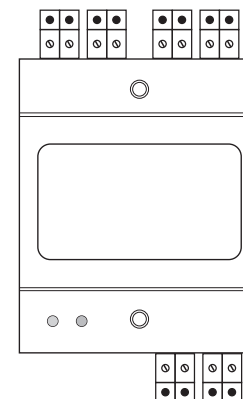
Multi- monitors wiring



USER MANUAL

2-wire Accessories

Video Distributor

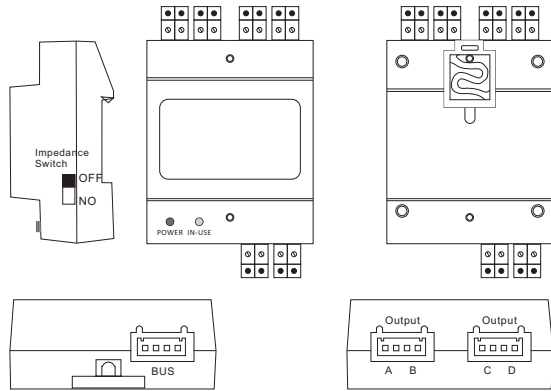


Power supply: DC20~30V
 Working Temperature: -10°C ~ +40°C
 Wiring: 2-wires (Non-polarity)
 Dimension: 89(H)×70(W)×45(D)mm

Description: Video distributor with 4 branches and isolation protection function.

- Can be used as 4 inputs (Outdoor stations) controller or 4 outputs (Indoor monitor) controller;
- Separate isolation protection without affecting another devices on the bus system;
- Short-circuit indication for convenient maintenance;
- Periodic self-detection mechanism for recovery.

1. Parts and Functions



IN-USE: Status indicator, it will light up when receives signal.

POWER: Working indicator, it will light up when plugs in power supply.

Impedance Switch: Video match switch, the last video distributor at the end of the bus should set ON to match the video impedance, the power indicator will turn to orange after setting.

Bus: Input port, bus connection port.

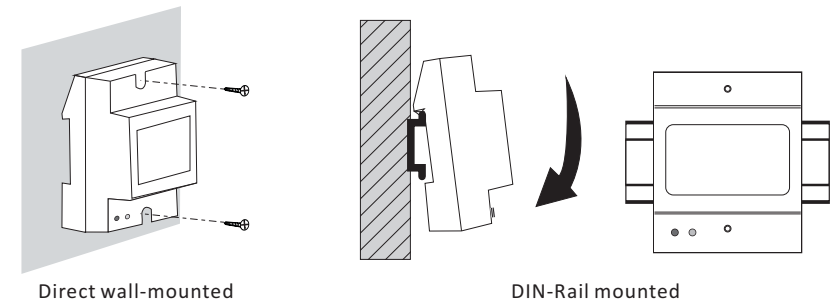
A, B, C, D: Output port, connect to indoor monitors or door stations.

Note:

- Operation mode: Protection mode will be activated once its connected devices are short circuited, and power supply for ABCD outputs will be turn off, the flashing in-use indicator shows the distributor is in the protection mode.
- Self-detection: System will auto check whether the short circuit is fixed or not, then recover the power supply, and in-user indication will be turn off;

- Detection period: Self-detection will be happened regularly according rules, and in-use indicator will flash rapidly three times when check happens; 1st detection will be happened in 10 seconds after short circuit; 2nd detection will be happened in 60 seconds after 1st detection; 3rd detection will be happened in 5 minutes after 2nd detection; 4th detection will be happened in 10 minutes after 3rd detection; 5th hereafter detection will be happened every 30 minutes.

2. Unit Mounting



3. Wiring

Multi-door station

