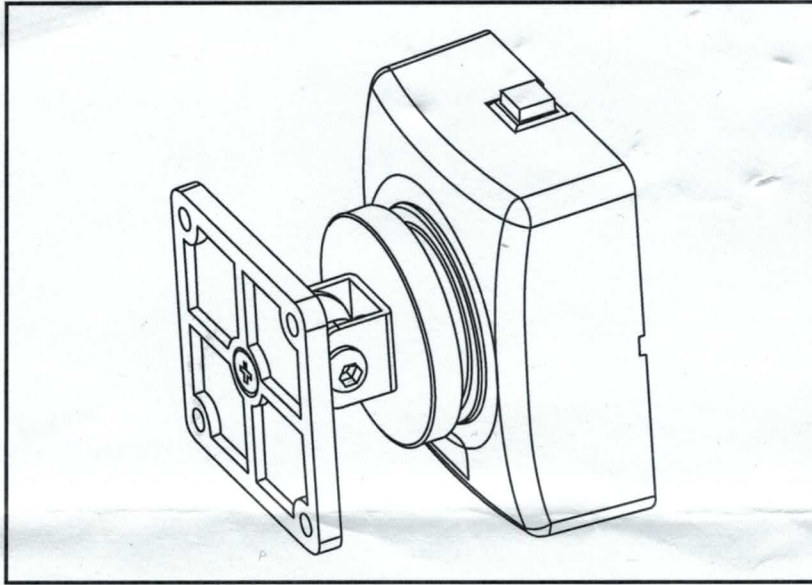




Plastic Surface Smokeproof Door Holder



SPECIFICATIONS	
Dimensions	75Lx35Wx90H(mm)
Voltage Input	24VDC
Current Draw	24V/70mA
Holding Force	50kg(110Lbs)
Anti-Rust Surface Treatment	Blue Zmc Plating
Operating Temperature	0~55°C
Operating Humidity	0~95%
Weight	0.82kg
FEATURES:	
Voltage Selectable 24VDC	
Emergency Release Button/Test Button	
Wall Mounting Direction	
Low Current Consumption	
Reliable Fail-Safe Mechanism	
Durable and Silence Operation	