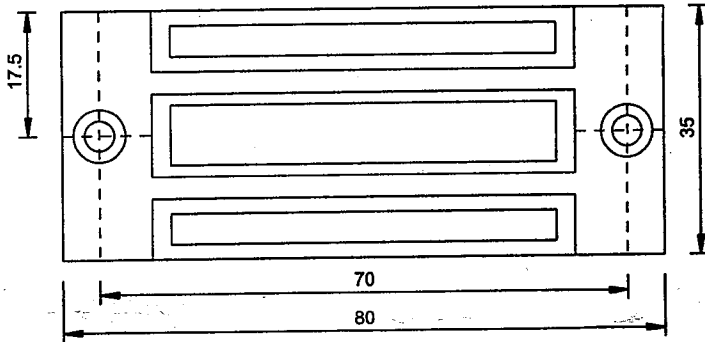


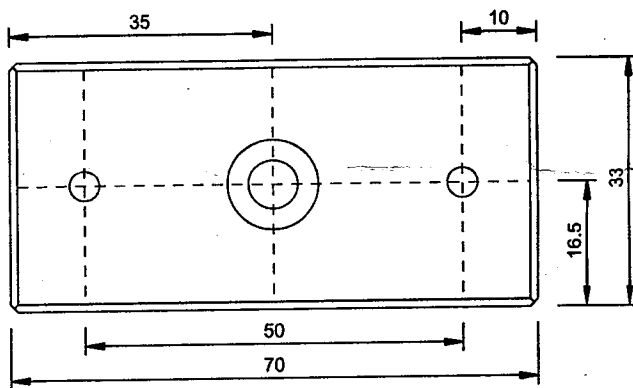
Magnetic Lock Instructions

Magnetic Lock Dimensions



Operating Voltage :	DC12V
Operating Current :	100mA

Adsorption board size chart



Voltage DC12V

