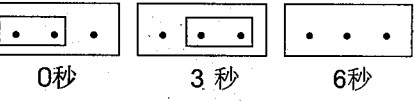


## Installation Manual Model:5818C

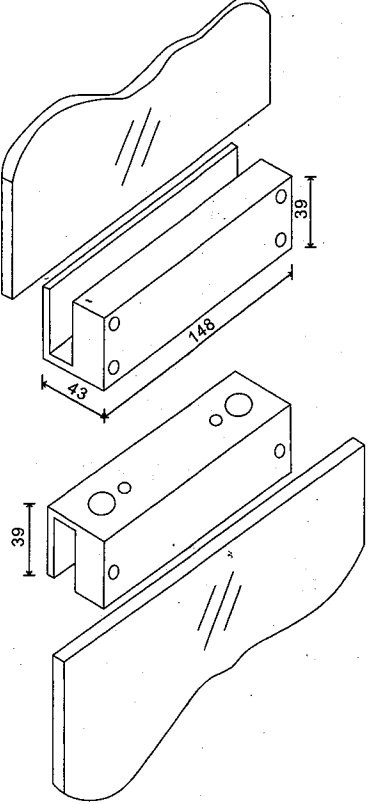
Model 5818C is special designed for frameless glass door, used by matching a bracket. Time delay Setting can keep the bolt open/close status in a certain period. So when it connects to Access control, it can make some employee enter or exit the door simultaneously. It also can check the position of lock and door.

Working Mode	Fail Safe/Fail Secure
Input Voltage	12VDC
Start-up Current	1.2A
Operating Current	0.25A
Dimension	148mmX43mmX39 mm
Weight	1 kg

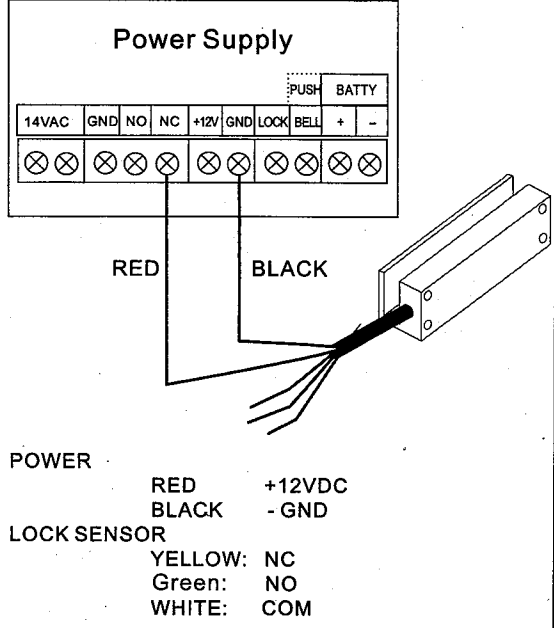
### Time Delay Setting



### Installation Diagram



### Wiring Diagram



Copyright © 2005 by Shenzhen Hengda Electronics Co., Ltd. All rights reserved.  
This document is the property of Hengda Electronics Co., Ltd. No part of this document may be reproduced without the prior written permission of Hengda Electronics Co., Ltd.