

# Sturidiness Electric Bolt With Narrow Panel

## FUNCTION

This is the self contain device whose securing element, the bolt is directly moved by a solenoid. The voltage used can be 12VDC or 24VDC optional. There is LED light indicator to show the status of lock and to show the status of doors. The delay timer can be set 0/3/6/9 seconds.

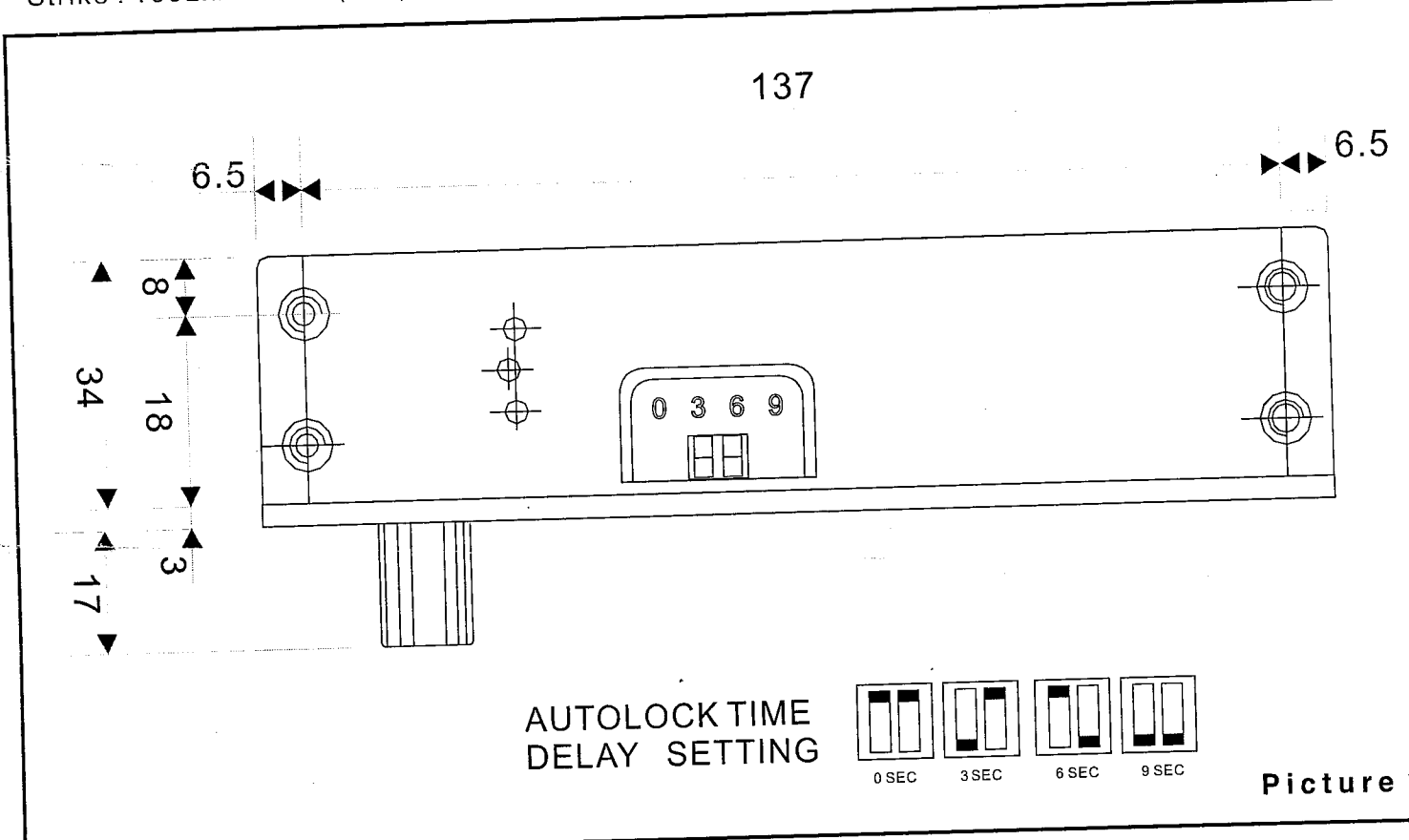
## INSTALLATION

1. Please read the specification before installation, Please also check the all the accessories and go through the wiring diagram.
2. The product contains 2 parts, which are lock body and strike. The gap between the lock body and the strike should be less than 8mm, make sure the bolt can go into the hole of the strike plate.
3. There are 5 types of wires, Red---(+), Black---(-), Orange---(OPEN), Green---(NO), White---(COM)
4. Setting of wiring diagram, please refer to picture 3.
5. Setting of delay time, 0/3/6/9 second, please refer to picture 1.
6. installation dimension: please refer to picture 2.

## PARAMETERS

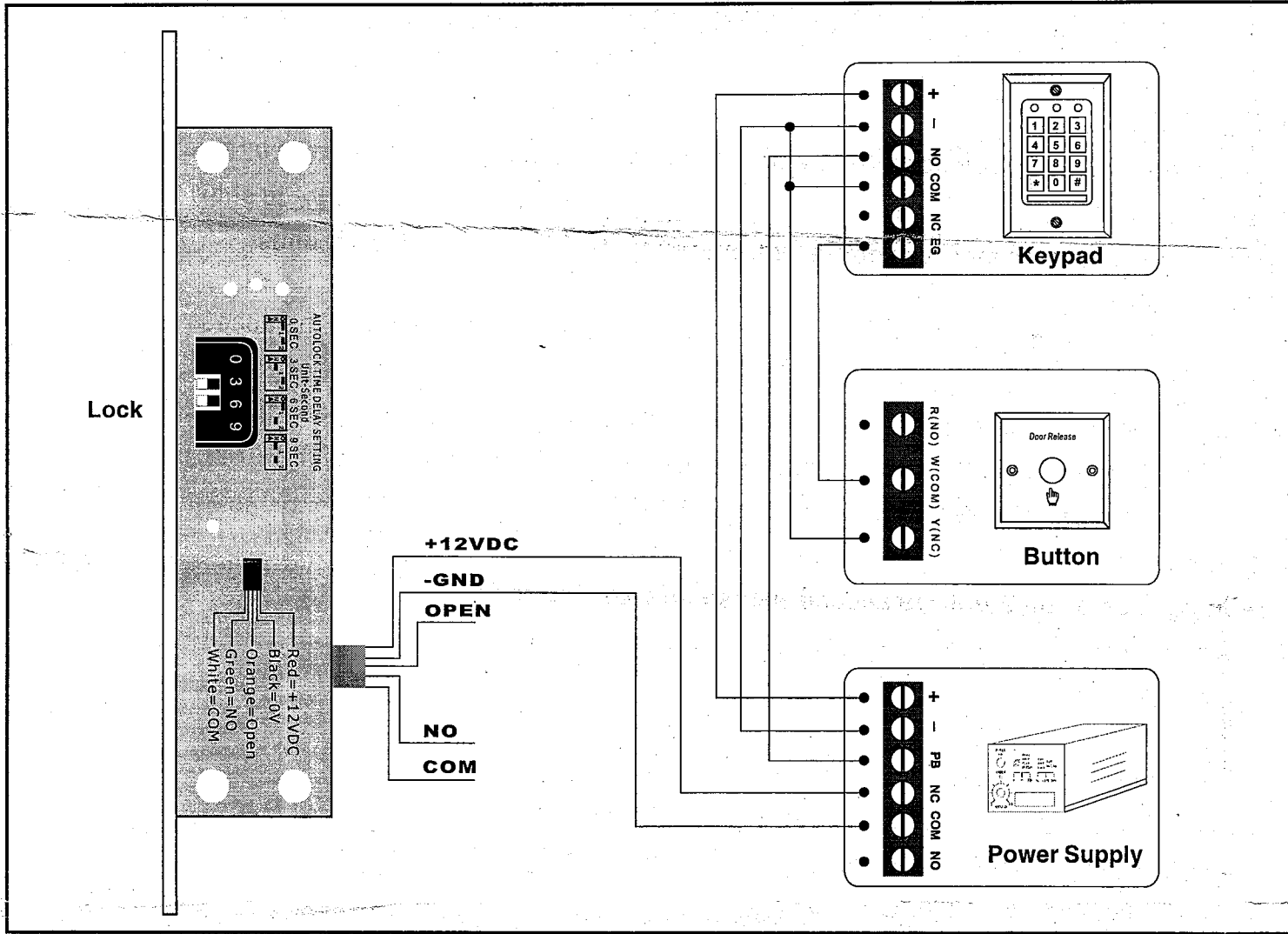
- Voltage : DC12V±10%
- Current : Start Current is 960mA, Standby current:130mA
- Open-Contact : Connect RED and ORANGE together
- LED : RED when the bolt being withdraw, GREEN when the bolt being projected

Auto lock time delay : 0/3/6/9second  
 Bolt : Stainless steel, 12.6mmDIA, 17mm throw  
 Face plate : 192Lx25Wx37H(mm)  
 Strike : 100Lx25Wx3H(mm)

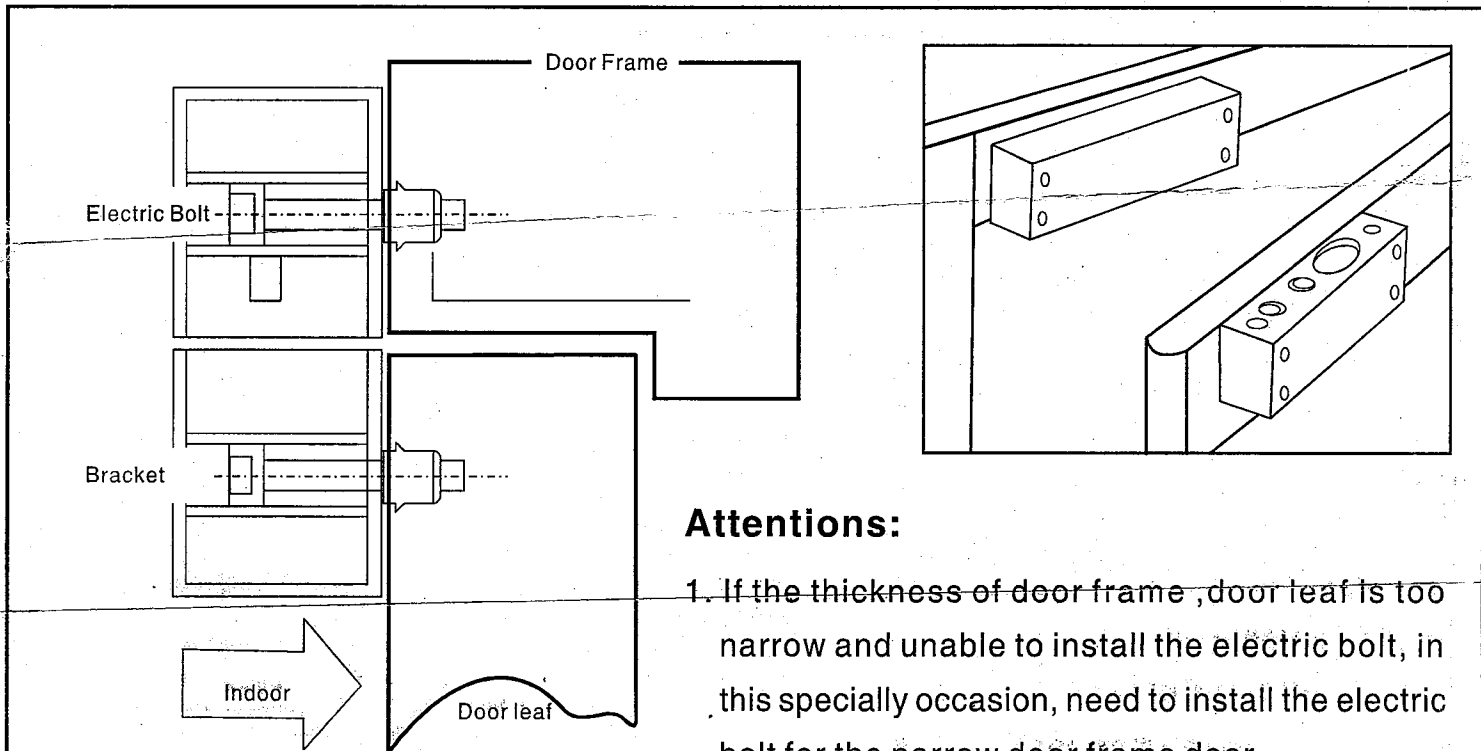


Picture 1

# WIRING DIAGRAM



# INSTALLATION



## Attentions:

1. If the thickness of door frame, door leaf is too narrow and unable to install the electric bolt, in this specially occasion, need to install the electric bolt for the narrow door frame door.
2. The gap between the down-bracket and electric bolt is 5-8mm.