

# SC705

## Touch Screen RFID Time & Attendance Terminal



SC705 is a 13.56 MHz proximity attendance management terminal incorporated with 3" TFT LCD. The color display and touch screen operation offers a user-friendly and easy menu management. The terminal includes standard Mifare RFID technology, with internal Wifi configured according to 802.1x standards authentication protocol.

The integrated push sdk protocol allows the terminal to communicate in real time to attendance management software through Ethernet, Wifi or external POE. It can also operate on standalone mode, through USB flash drive data transfer.

The added feature of a 3" interface window offers the option of displaying informative messages, managed directly from software.

---

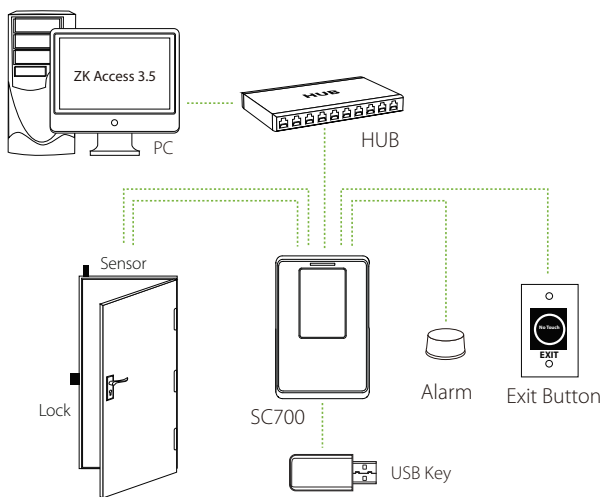
### Features

- User friendly 3-inch TFT color display and touch screen
- Embedded with PUSH firmware to integrate with 3rd party time management software
- Incorporated with Mifare card reader
- Stores up to 30,000 cards and 100,000 records
- Relay outputs for optional electric lock and alarm;
- Digital inputs for door status sensor and exit switch.
- Wiegand input and output for connecting third party card readers or controllers for dual factor authentication (optional)
- Audio and Visual indication using speakers and LEDs
- Optional Multi-language.

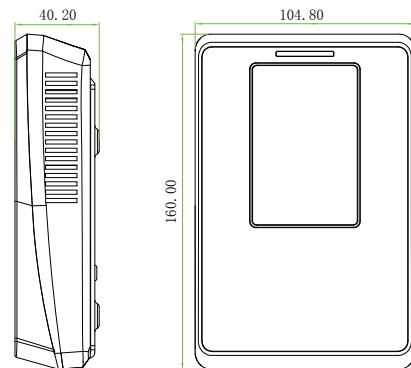
# Specifications

<b>Firmware</b>	PUSH SDK
<b>Display</b>	3 Inches Touch Screen
<b>ID Card Capacity</b>	30,000
<b>Logs Capacity</b>	100,000
<b>Communication</b>	TCP/IP, WiFi, USB Host
<b>Standard Functions</b>	Mifare card, Automatic Status Switch, T9 input, Multi-verification Method
<b>Access Control Interface</b>	3rd Party Electric Lock, Door Sensor, Exit Button, Alarm
<b>Wiegand Interface</b>	Wiegand input&output
<b>Power Supply</b>	12V/3A, External PoE
<b>Operating Temperature</b>	0°C - 45°C
<b>Operating Humidity</b>	20% - 80%
<b>Dimensions (HxWxD)</b>	160x104.7x36mm

## Configuration



## Dimensions (mm)



ZKTeco Europe.

Av. Camino de lo Cortao, 10. Nave 1.  
28703 San Sebastián de los Reyes. Madrid. SPAIN  
Tel: +34 916 532 891 E-mail: sales@zkteco.eu  
www.zkteco.eu

© Copyright 2016. ZKTeco Inc. ZKTeco Logo is a registered trademark of ZKTeco or a related company. All other product and company names mentioned are used for identification purposes only and may be the trademarks of their respective owners. All specifications are subject to change without notice. All rights reserved.

