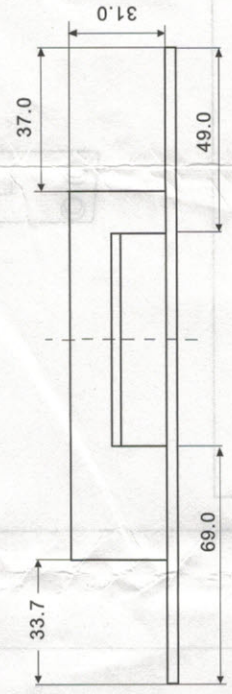
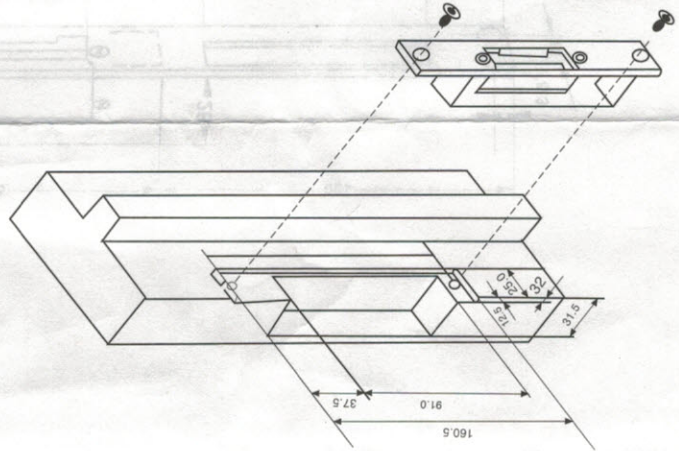
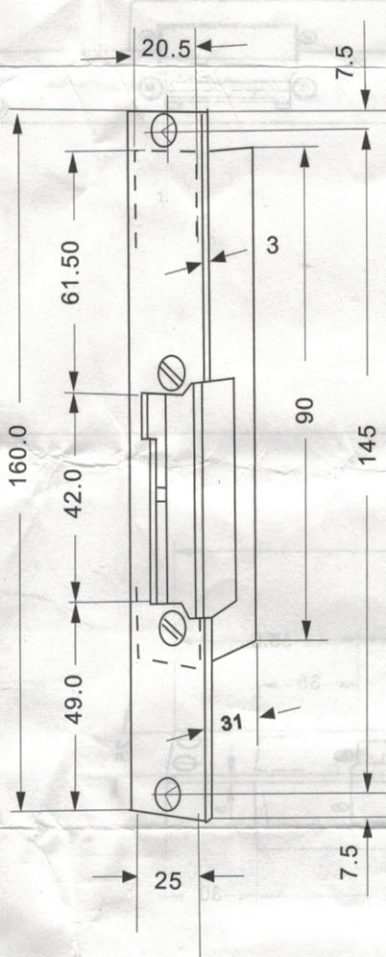
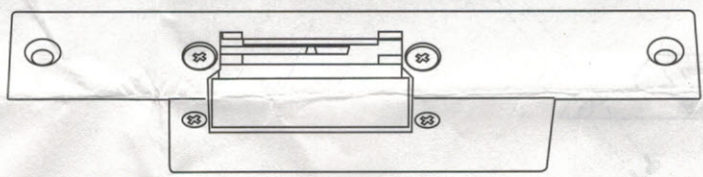




# ELECTRIC STRIKE

## INSTALLATION



### SPECIFICATION

FACE PLATE: 160Lx25Wx31H(mm)  
 VOLTAGE: 12VDC  
 CURRENT: 450mA  
 200mA  
 FEATURE: FAIL SECURE(NO)  
 FAIL-SAFE(NC)

FEATURE: FAIL SECURE(NO)  
 500mA  
 CURRENT: 450mA  
 VOLTAGE: 12VDC  
 FACE PLATE: 160Lx25Wx31H(mm)