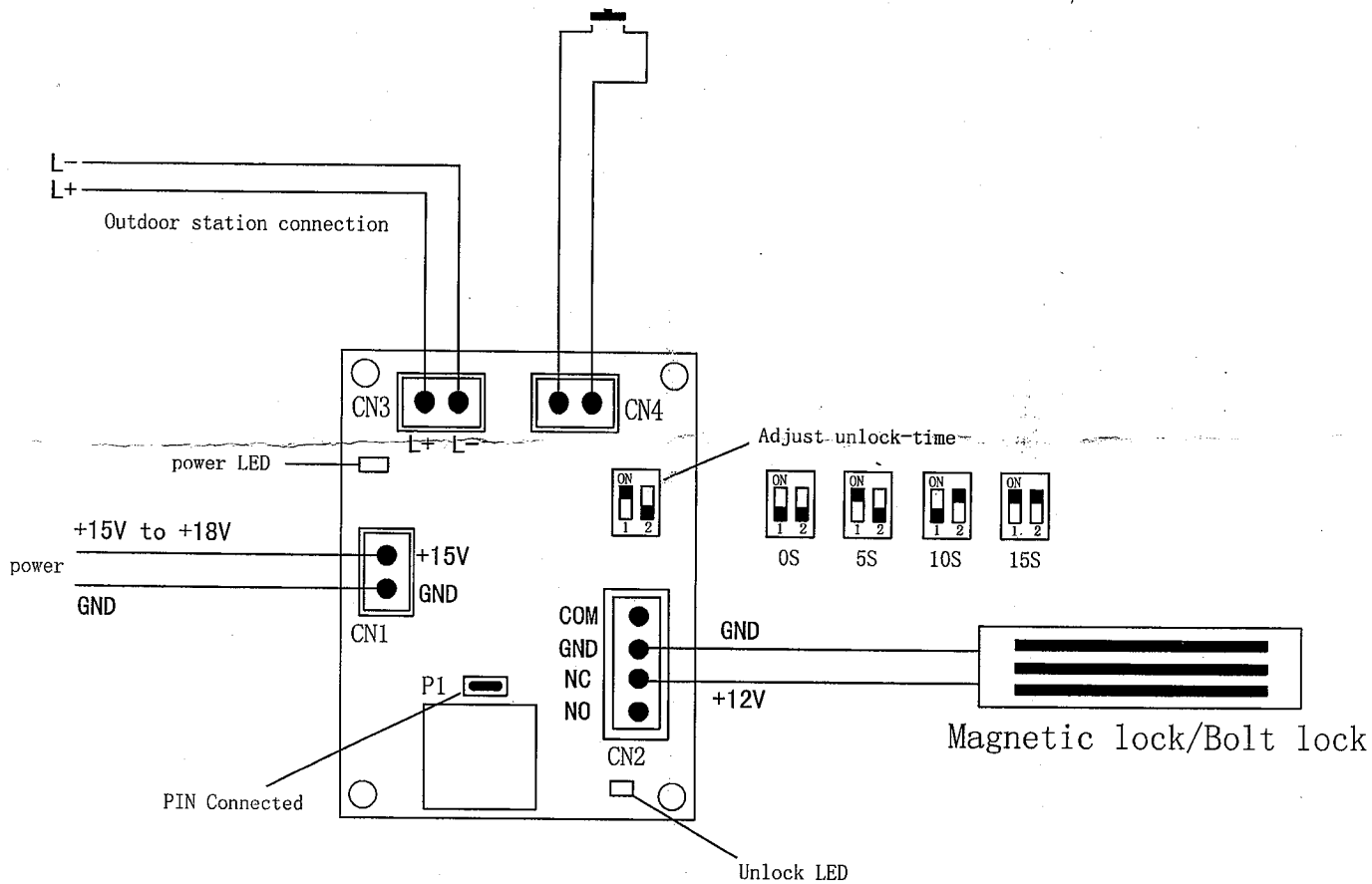
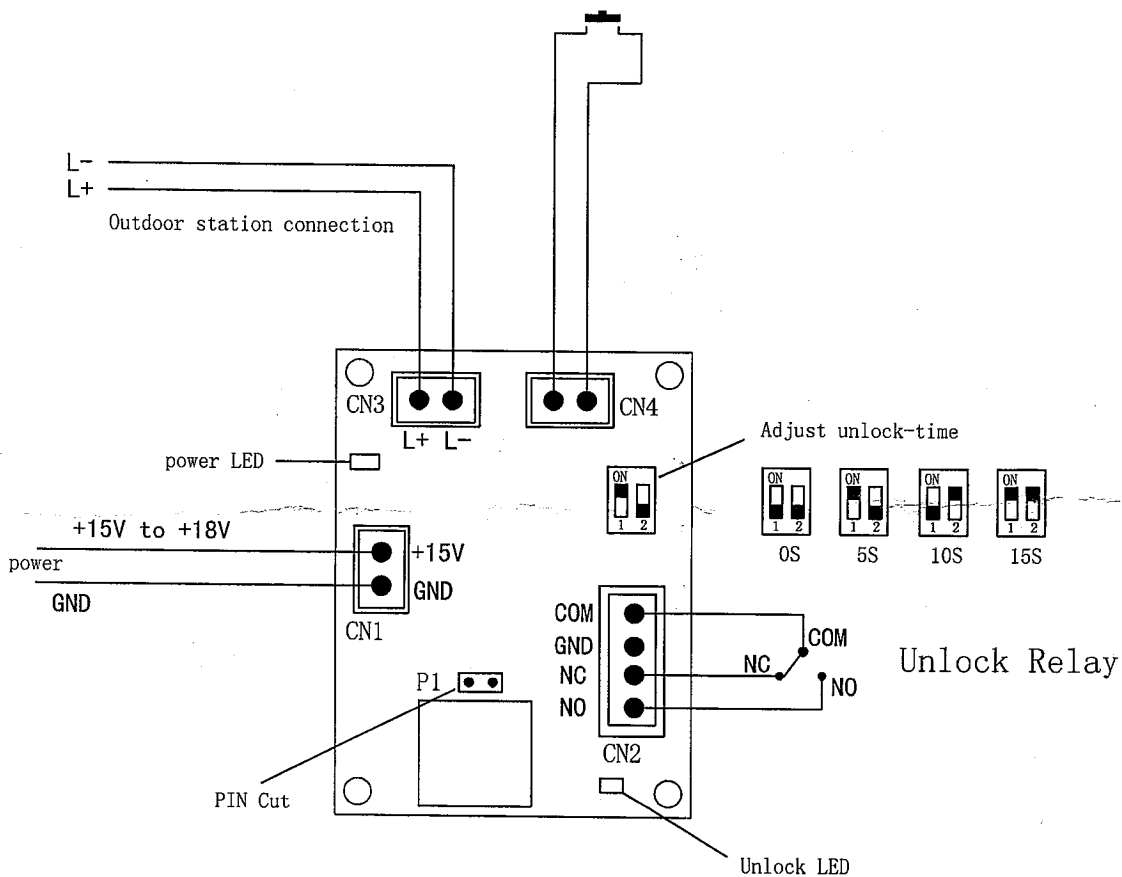


Exit switch



SK2 Diagram

Exit switch



SK2 Diagram