

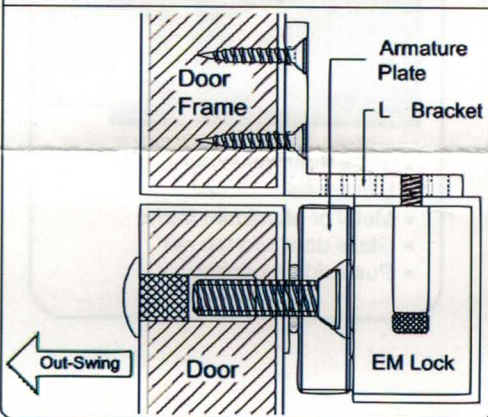
Electromagnetic Locks Bracket instructions

◆ All Brackets are adaptable to virtually any application utilizing Top Jamb or Glass Door mounting kits.

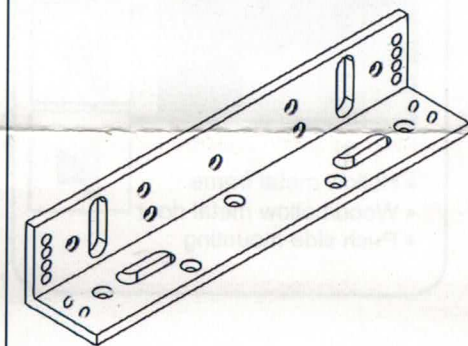
L Bracket

Out-swing Door Application

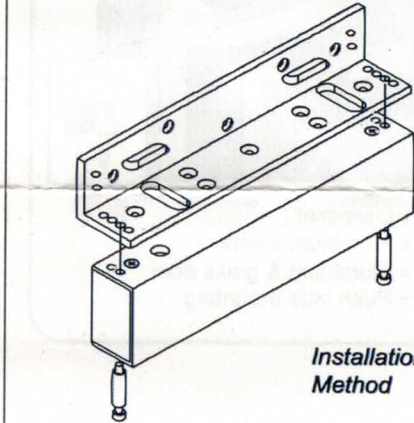
Bracket Application



Specifications



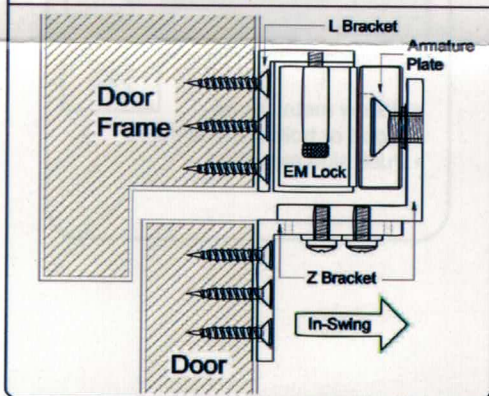
Installation Method



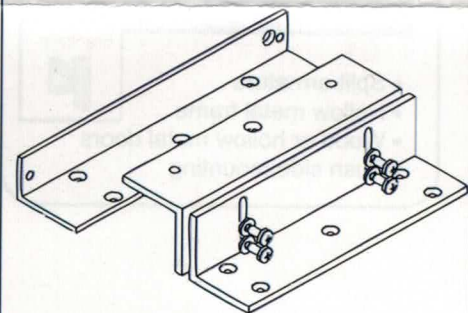
ZL Bracket

In-swing Door Application

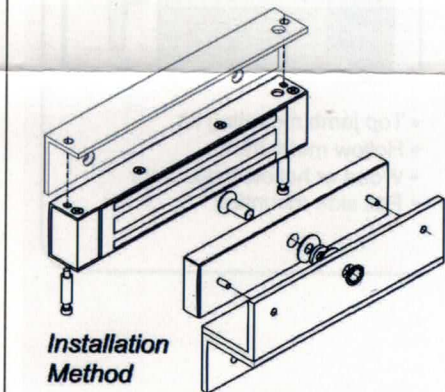
Bracket Application



Specifications



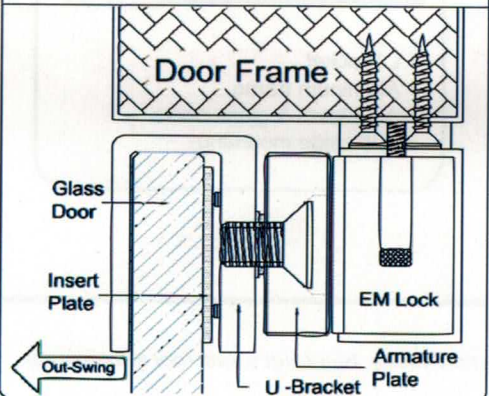
Installation Method



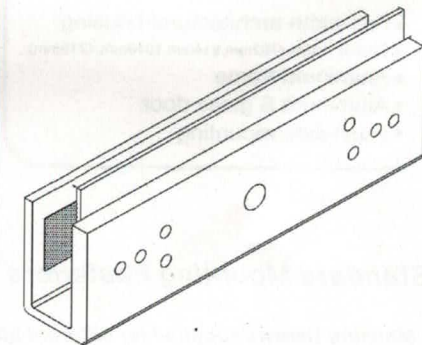
U Bracket

Glass Door Application

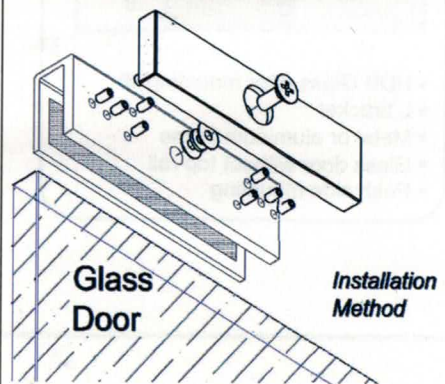
Bracket Application



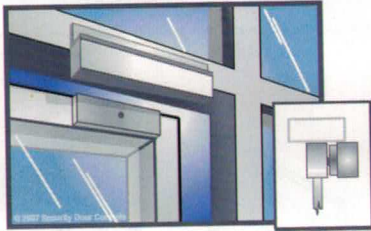
Specifications



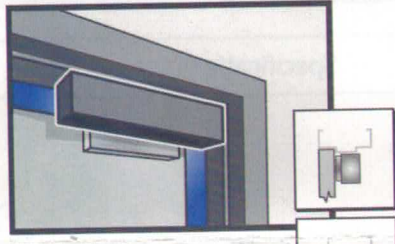
Installation Method



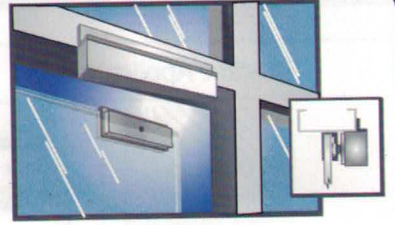
Typical Door Applications



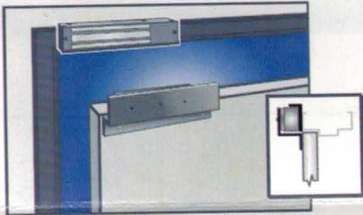
- L bracket
- Aluminum frame
- Aluminum & glass door
- Push side mounting



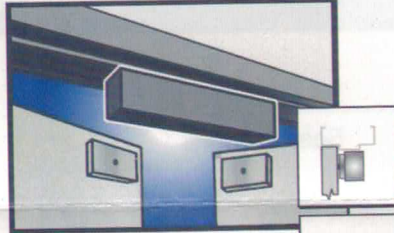
- Hollow metal frame
- Wood/hollow metal door
- Push side mounting



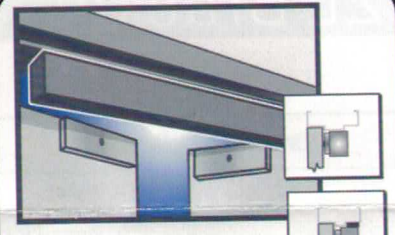
- Glass door mounting kit
- L brackets
- Metal or aluminum frame
- Glass door w/o top rail
- Push side mounting



- Top jamb mounting kit
- Hollow metal frame
- Wood or hollow metal door
- Pull side mounting



- Split armature
- Hollow metal frame
- Wood or hollow metal doors
- Push side mounting



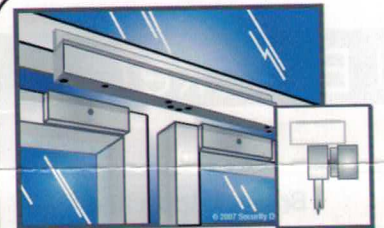
- Hollow metal frame
- Wood or hollow metal doors
- Push side mounting



- HDB Glass door mounting kit
- L bracket
- Metal or aluminum frame
- Glass door without top rail
- Push side mounting



- Full width architectural housing
- Specify length (762mm, 914mm, 1016mm, 1219mm)
- Aluminum frame
- Aluminum & glass door
- Push side mounting



- L bracket
- Aluminum frame
- Aluminum & glass doors
- Push side mounting

Standard Mounting Fasteners

Self Drilling & Tapping Sheet Metal Screws and 10/32 Machine Screws supplied for different application needs. Blind Nut's and Tool are optional