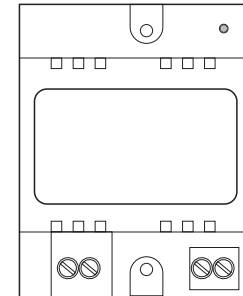

USER MANUAL

2-wire Accessories

Power Separator



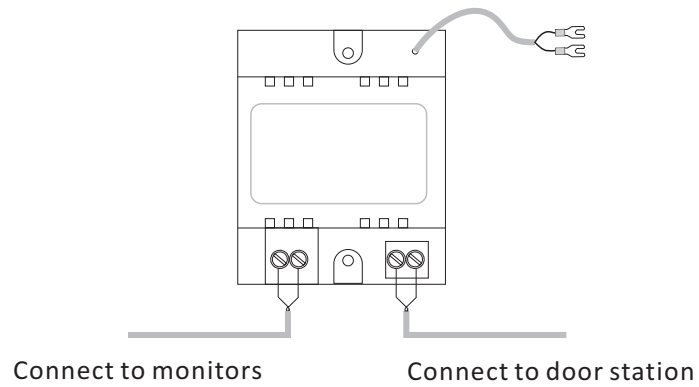
Please read this manual carefully before using the product .

1. Description

2-wire system power separator

- Power supply separator for connecting 1 door station
- Used with power supply
- 4 DIN modules

2. Parts and Functions



4. Specification

- | | |
|------------------------|------------------------|
| • Power supply: | DC 24V |
| • Working Temperature: | -10 °C~+60 °C |
| • Wiring: | 2 wires (Non-polarity) |
| • Dimension: | 89(H)×70(W)×45(D)mm |

3. Installation

