

ELECTROMAGNETIC LOCKS



MAGNETIC LOCK WIRING INSTRUCTIONS

Lock Size	228(L)x47(W)x29(H)(mm)(350KG) 220(L)x63(W)x36(H)(mm)(500KG)
Armature plate	190(L)x45(W)x11(H)(mm)(350KG) 185(L)x60(W)x13(H)(mm)(500KG)
Holding Force	350kg(800Lbs) 500kg(1200Lbs)
Current Draw	12V/480mA; 24V/240mA(350KG) 12V/500mA; 24V/250mA(500KG)
Voltage	DC12V/DC24V±10%
Weight	2.5kg/4.5kg

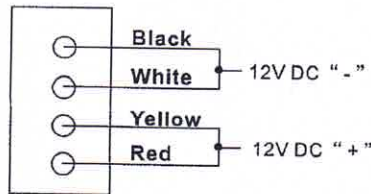
A. 12V DC Input:
Required power 0.5Amp (Minimum)
“+” Paralle connection the Red and Yellow wire.
“-” Paralle connection the Black and Green wire.

B. 24V DC Input:
Require power 0.25 Amp (minimum)
“+” Red wire.
“-” Black wire.
Paralle connection the Green and Yellow wire.
(Check the wire is be 24V DC)

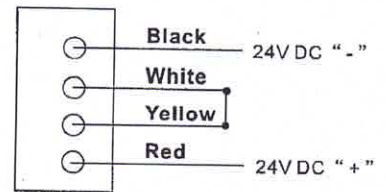
PRINTED CIRCUIT BOARD SCHEMATIC

Magnetic lock waterproof

A. 12V DC Input

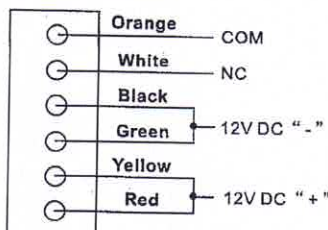


B. 24V DC Input

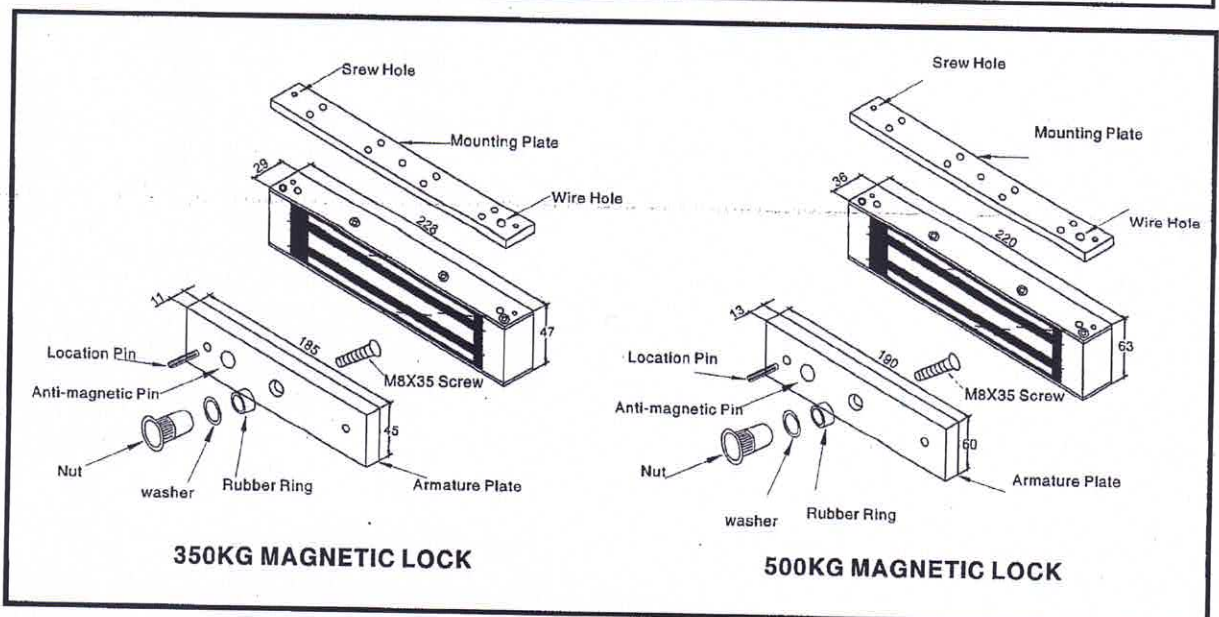
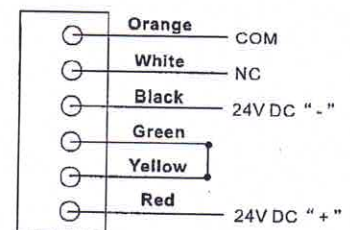


Magnetic lock waterproof & signal

A. 12V DC Input



B. 24V DC Input



350KG MAGNETIC LOCK

500KG MAGNETIC LOCK