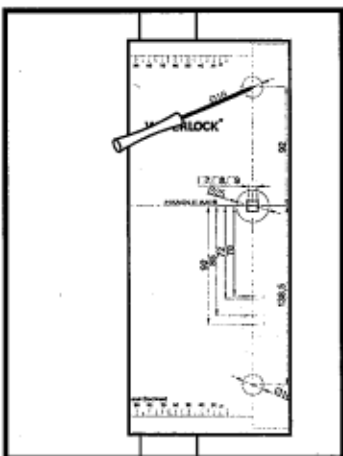
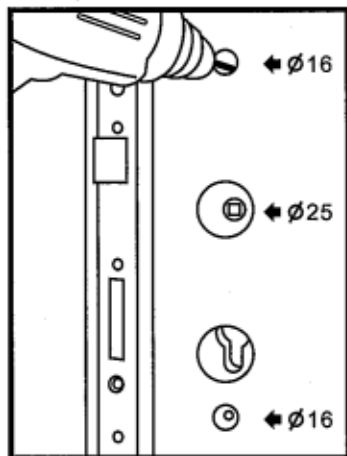


INSTALLATION GUIDE



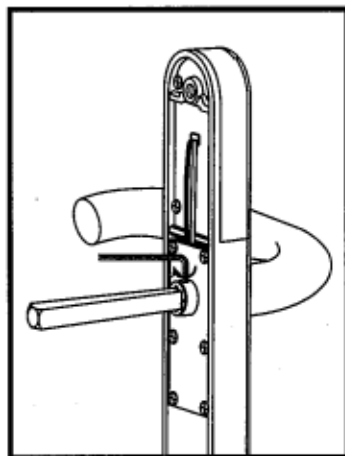
1 Place the Door Drilling Template on the door.

Use a pin driver to fix the point where you need to drill.



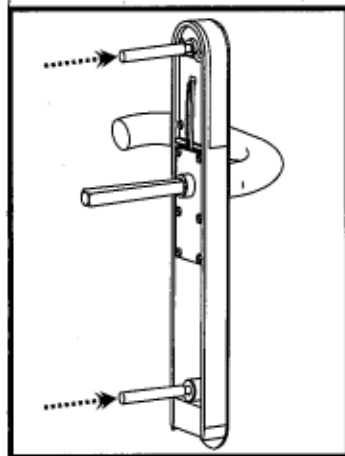
2 If there is an existing mortise lock, remove it before drilling.

Drill the holes on the door according to the Door Drilling Template.

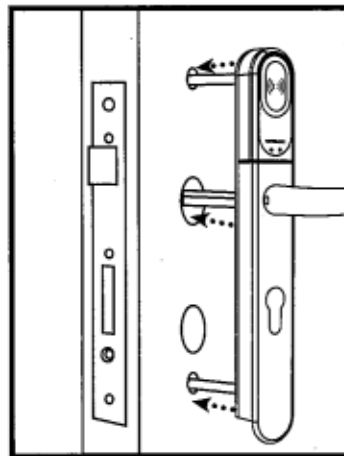


3 From the parts bag, take out the square spindle and place to the back of outer handle set.

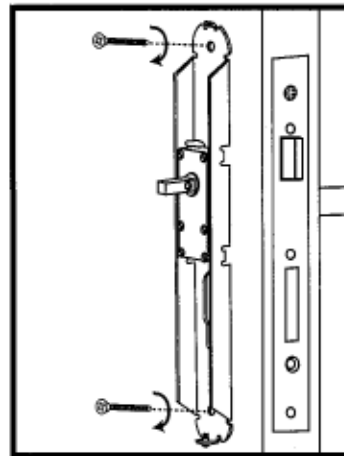
Use hexagon screw driver (#1.5) from the parts bag to tighten the square spindle.



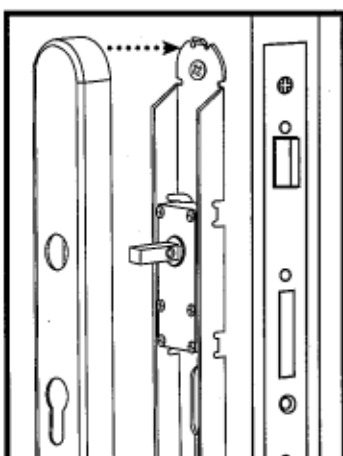
4 Take two fixing poles and screw them on the outer handle set.



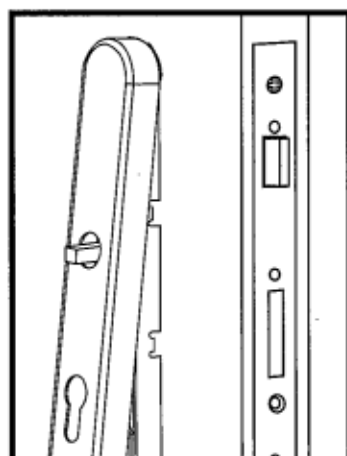
5 Insert the outer handle set into the holes on the door.



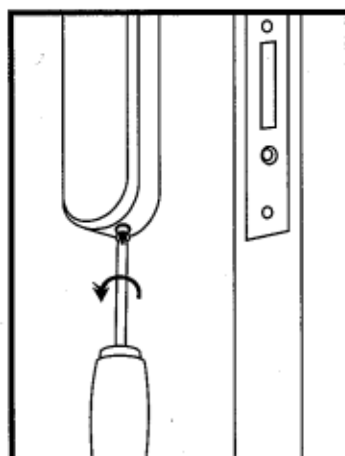
6 Take two screws and screw with the inner handle set on the door.



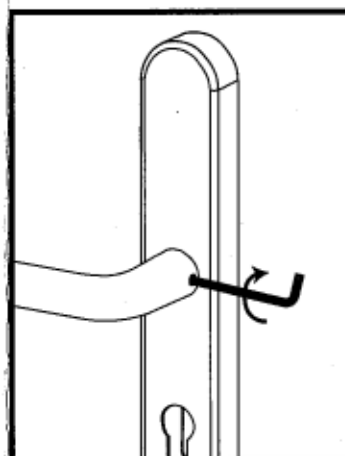
7 Put the inner handle cover plate back to the inner handle set.



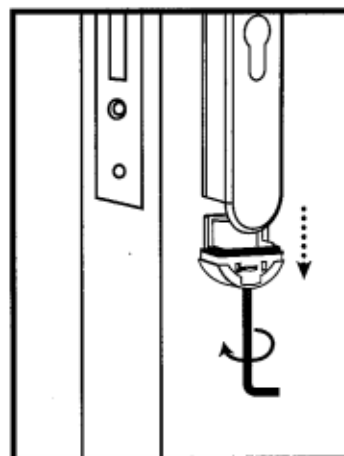
8 The cover plate should press to the surface of the door.



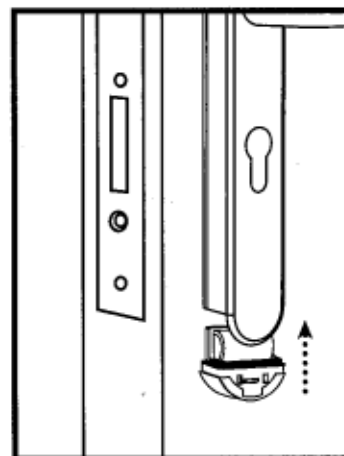
9 Carefully turn the screw at the bottom of the plate anticlockwise until you feel resistance.



10 Take one hexagon driver (#2.5) to tighten the screw on the inner lever.



11 Use hexagon screw driver (#1.5) to pull out the battery holder from the bottom of the outer handle set.



12 Insert one CR2 lithium battery to the battery holder and put the holder back.

The green LED will light up with beep sounds.